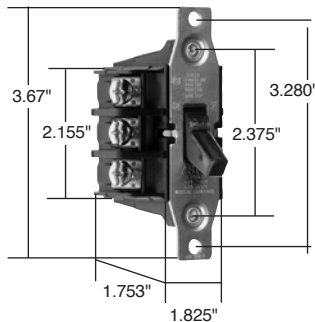


Technical Specifications Manual Controller Switches

40A, 600VAC, 1 ϕ & 3 ϕ



7842
7843

Typical Specifications

Manufacturer's Identification: Pass & Seymour/Legrand 7842
 Description: Manual Controller, Double Pole, Single Phase
 Rating: 40A, 600VAC max.
 3rd Party Compliance: UL Listed, File Number E31169, Standard UL508, Industrial Control Equipment;
 CSA Certified, File Number LR17949, Standard CSA-C22.23, No. 14, Industrial Control Equipment. Conforms to NEMA WD-1 and WD-6.

Catalog Number	Rating	Description
<input type="checkbox"/> 7842	General Use 40 600Max.	2 120 5 240 10 480 15 600
<input type="checkbox"/> 7842MD	Same as 7842	7842, See Footnote 2
<input type="checkbox"/> 7843	General Use 40 600Max.	3 120 7.5 240 15 480 20 600
<input type="checkbox"/> 7843MD	Same as 7843	7843, See Footnote 2
<input type="checkbox"/> 7801P		Handle Locking Guard has opening for padlock to secure control in either ON or OFF position.
<input type="checkbox"/> 7806P		NEMA 1 Black Nylon Enclosure has baked-on gray enamel finish with 1/2" and 3/4" knockouts at each end.
<input type="checkbox"/> 7830		NEMA 3R Aluminum Enclosure

All Industrial Control Equipment is suitable for use in a circuit capable of deliverable not more than 5,000 rms amperes at 600VAC maximum or equivalent.

Footnote:

- Suitable as Motor Disconnect – 10KA @ 600VAC, 60A max. Class J Fuse or 100A max. Ferraz Shawmut HSJ Fuse

Performance			
Electrical			
Dielectric Withstand Voltage	2000V Minimum		
Maximum Working Voltage	600VAC		
Overload	50 cycles, 132 Amps/600VAC .5 PF		
Temperature Rise	50°C maximum		
Maximum Continuous Current	30A		
Endurance	1000 Cycles, 44Amp/600VAC 0.5 PF 5000 Cycles, 30Amp/600VAC 0.75 PF		
Mechanical			
Terminal Accommodations	#14 AWG – #10 AWG copper or copper-clad wire		
Environmental			
Flammability	UL94 V2		
Operating Temperature	Maximum continuous +75°C, minimum -40°C		
Materials			
Back Body	Nylon	Terminal Screws	Brass
Front Body	Nylon	Leaf Springs	Stainless Steel
Carrier	Nylon	Coil Springs	Zinc-Plated Steel
Toggle	Nylon	Strap	Zinc-Plated Steel
Contact Arm	Brass	Rivets	Brass
Terminals	Brass	Contacts	Silver Cadmium Oxide

Project
Location/Type